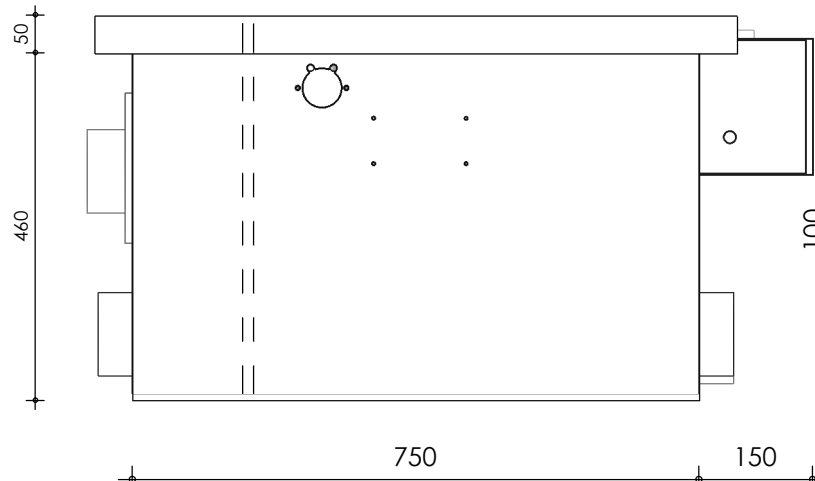
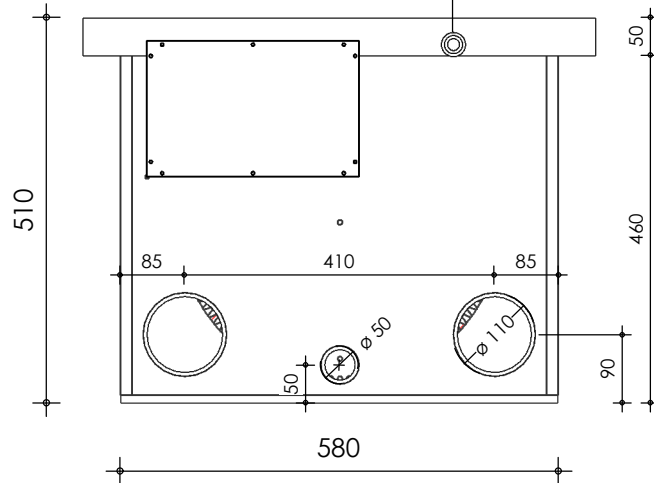


Front view

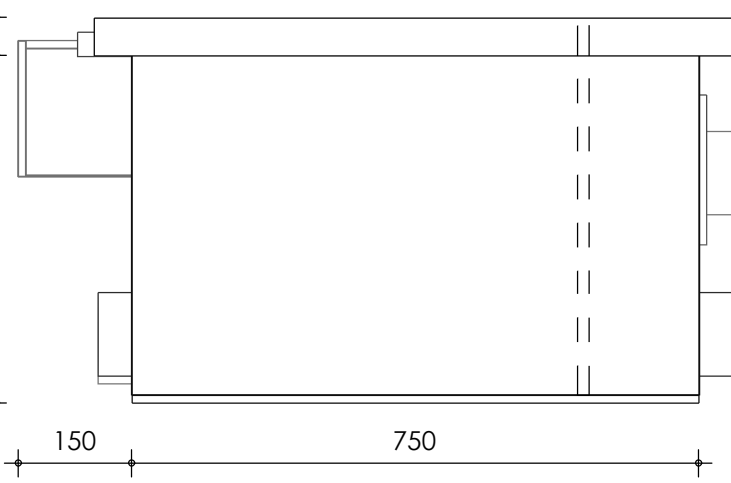


Right-side view

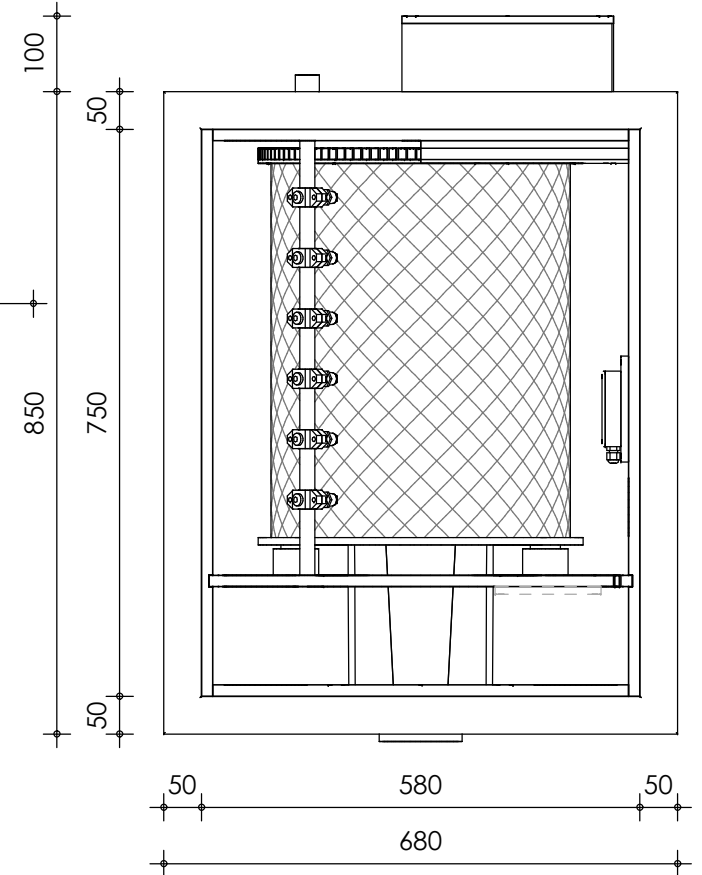
connection external cleaning  
pump 1"



Rear view



Left-side view



Top view

**description:**  
QK35 - drum filter

**scale :**  
1 : 10

**date/version :**  
v.2021

**water running height :**  
170 mm



**QUENI**  
**KOI**